



Guide Specification and Installation Instructions

Part 1 – General

- 1.01 Description of System
 - A. This fireproofing system shall be a complete system of fireproofing materials supplied as specified by Johns Manville.
 - B. This system shall be designated for application on the specific type of structural member shown on the drawing.
- 1.02 Quality Assurance
 - A. Supplier Qualifications: The Super Firetemp system, as supplied by Johns Manville, is approved for use on the project.
 - B. Applicator Qualifications: Applicators bidding on this work represent that they are fully apprised of Super Firetemp products and methods of application.
- 1.03 Submittals
 - A. Product Data: Copies of Super Firetemp data and application instructions.
 - B. Samples: Samples of Super Firetemp, Super Calstik and other applicable materials as requested.
- 1.04 Product Delivery, Storage and Handling
 - A. Materials shall be delivered in packaged lots, clearly marked with Johns Manville's name, brand and type of material.
 - B. Materials shall be stored in a clean, dry warehouse with careful handling to avoid damage.
- 1.05 Job Conditions
 - A. Environmental Conditions: When installing Super Firetemp, conditions must be above freezing to allow the Super Calstik Glue to set.
 - B. Ventilation: When Johns Manville Super Firetemp is saw-cut in the field, workers must follow personal protection as indicated in the product warning label or Material Safety Data Sheet (MSDS).
 - C. Substrate Protection: Outdoor structural members being fireproofed by Super Firetemp should be protected from rust by the application of an appropriate coating.
 - D. Coordination: Fireproofing must be coordinated with other construction to avoid retrofits that would interfere with the integrity of the finished fireproofing job. At the same time, the fireproofing should be applied as late as possible to minimize the possibility of incidental damage to the finished system.
- 1.06 Codes
 - A. Install all Super Firetemp in strict accordance with all published, applicable regulations by local, state or federal agencies that may have jurisdiction.

Part 2 – Products

2.01 Super Firetemp

- A. Guide Specification: Shall be Super Firetemp, a press-molded xonotlite calcium silicate board possessing such strength and resiliency as to be installable without damage. If intended for exterior use or where water resistance is required, Super Firetemp must be protected with an approved system.

B. Typical Average Properties:

Super Firetemp	L	M
Density, pcf (kg/m ³)	18 (288)	28 (449)
Flexural Strength, psi (kPa)	260 (1793)	550 (3792)
Compressive Strength @ 10% deformation, psi (kPa)	450 (3103)	900 (6206)

- C. Positive Protection: As compared with spray-on materials, Super Firetemp offers "positive" protection because the thickness is fixed at the manufacturing level under rigid quality control.
- D. Easy Application
 - D.1 May be field-installed using ordinary tools: hammer and nails, automatic nailer, or drywall screws and power screwdriver. Screws are the preferred method of attachment.
 - D.2 May be field-cut using a circular saw equipped with a carbide-tipped blade or a saber saw equipped with a metal cutting blade. For minimum on-site effort, pre-cut in a shop. Field cuts with a circular saw should be made by using a "clamped-in-place" straightedge for the saw to follow.
- E. Hazardous Warning
 - E.1 For the latest health and safety information for this product, please refer to the Johns Manville Material Safety Data Sheet (MSDS) No. 2034-1.0, or contact the Johns Manville Product Information Center at 1-800-654-3103.
 - E.2 Contains no asbestos.

Super Firetemp™

Structural Steel Installation

Part 3 – Execution

3.01 Inspection

- A. Verify that the members to be fireproofed are as represented in the design criteria.
- B. Verify that all members to be fireproofed have been properly coated if such coating is called for in the design specs.

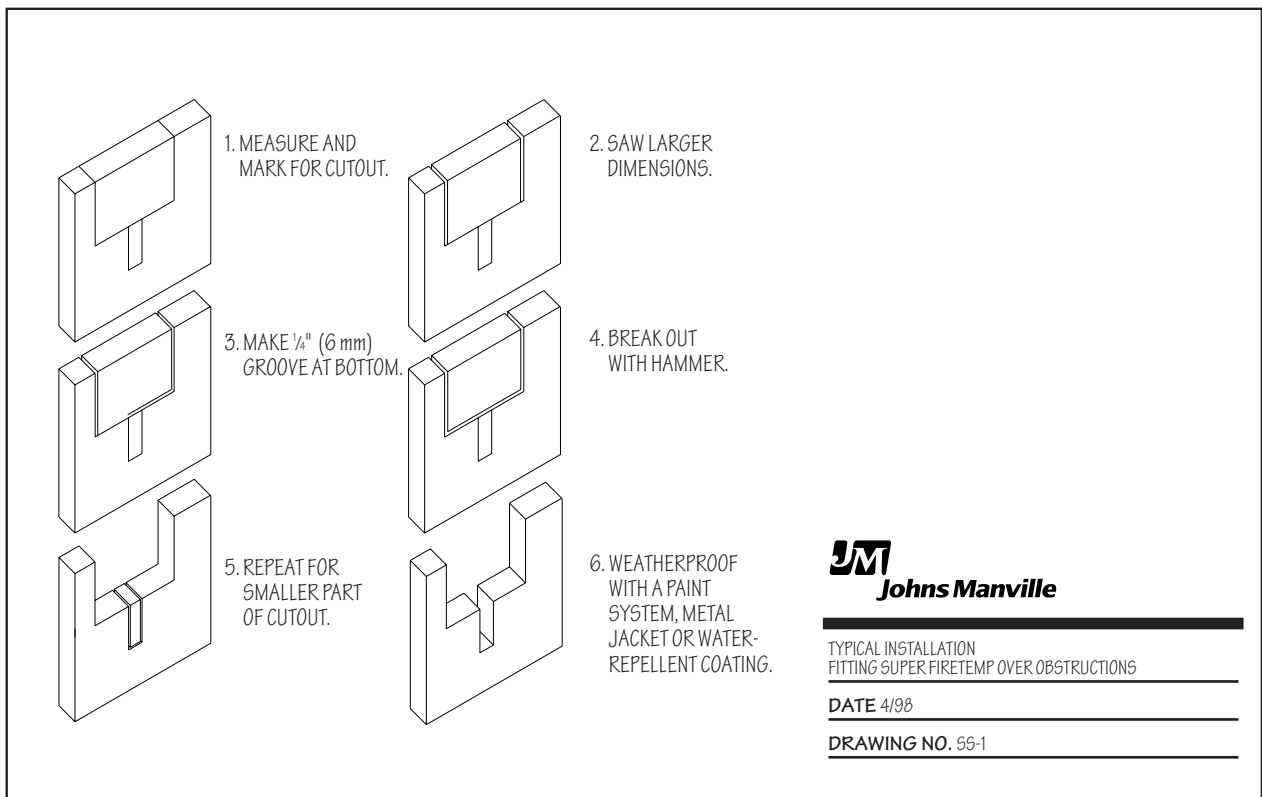
3.02 Rib Installation (ribs are optional for boards 1" [25 mm] thick or greater)

- A. Cut and fit ribs (minimum 2" [51 mm] thick) for all board sections that terminate in unsupported web areas of the structural members.
- B. Attach all ribs by "buttering" the edges with Super Calstik adhesive.

3.03 Board Installation

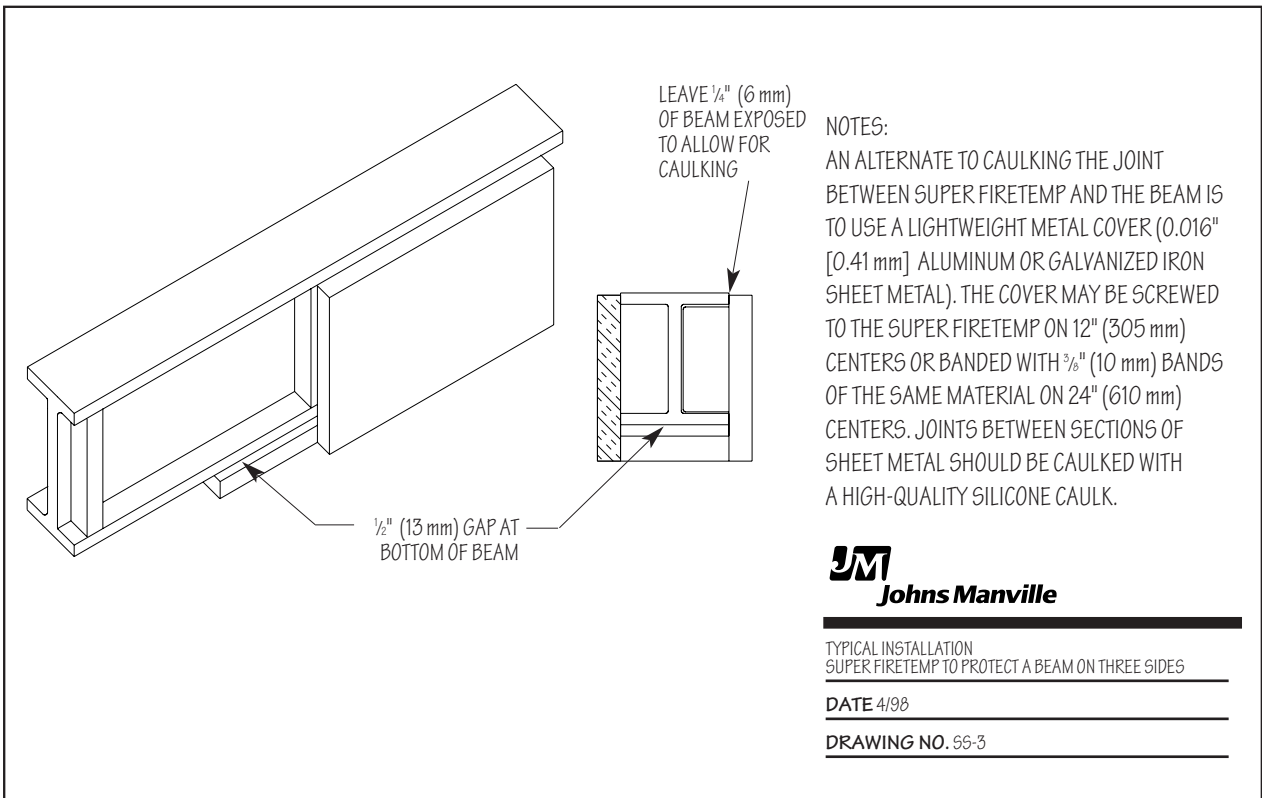
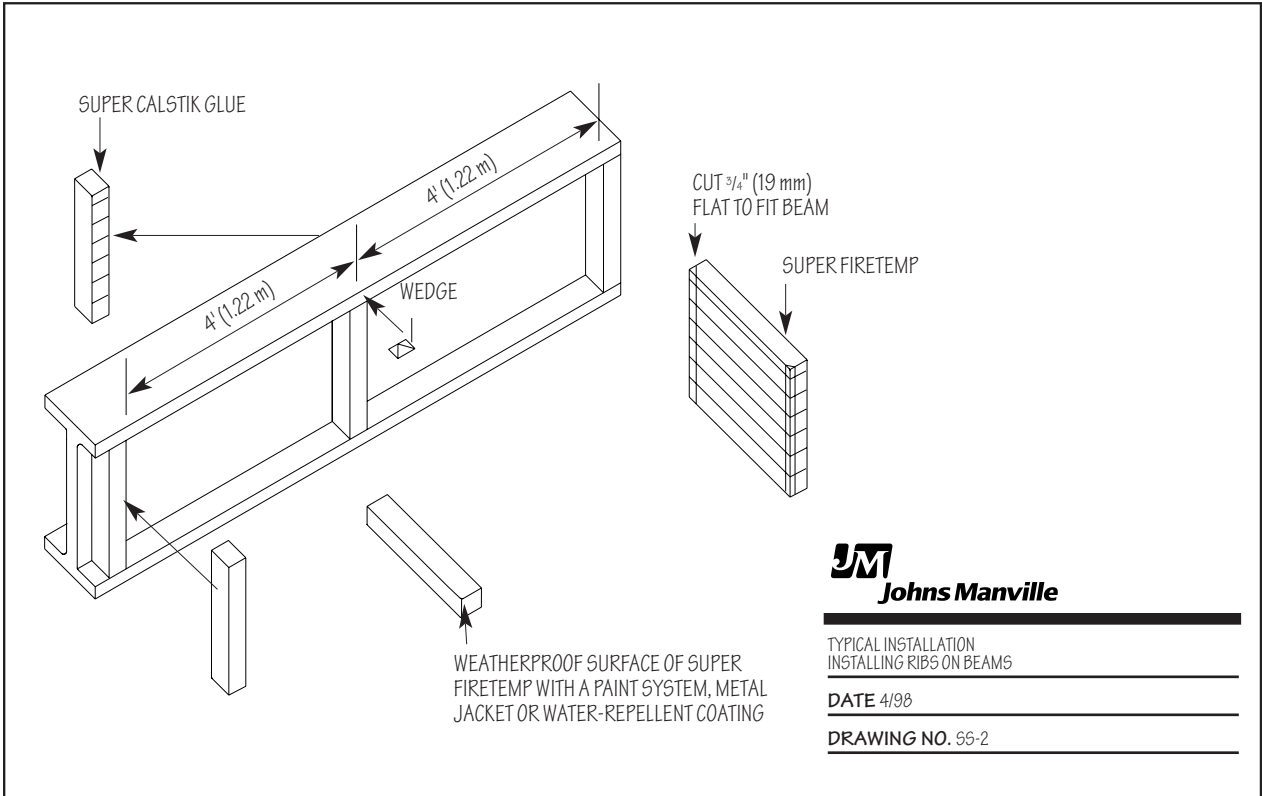
- A. Use full 8' (2.44 m) sections up the columns, but generally 4' (1.22 m) sections can be cut with less total waste.
- B. Cut 4' (1.22 m) boards for the flange sides of the beam. The width of the boards is equal to the flange width plus ¼" (6 mm).
- C. Cut 4' (1.22 m) boards for the web sides of the beam. The width of the boards is equal to the beam width plus two thicknesses of the board plus ¼" (6 mm).

- D. Start column at the bottom by installing ribs on both web sides at the bottom and at 4' (1.22 m) intervals up the column, if required.
- E. Start with a 2' (0.61 m) section for the flange faces.
- F. Apply full 4' (1.22 m) boards to web sides starting at the bottom and working up. Screws (or nails) should be installed at 8" (203 mm) intervals with one or two at the rib depending on the width of the section. The length of the screws (or nails) should be twice the thickness of the board. All fasteners should be recessed approximately ¼" (2 mm) to allow for spackling.
- G. On indoor installations, use Super Firetemp M for all exposed areas.
- H. Super Firetemp may be used indoors in protected areas. For outdoor applications, use with aluminum or stainless steel weatherproof covering or a recommended paint system.
- I. If Super Firetemp is installed in outdoor conditions or where water resistance is required, Super Firetemp must be protected with an approved system.



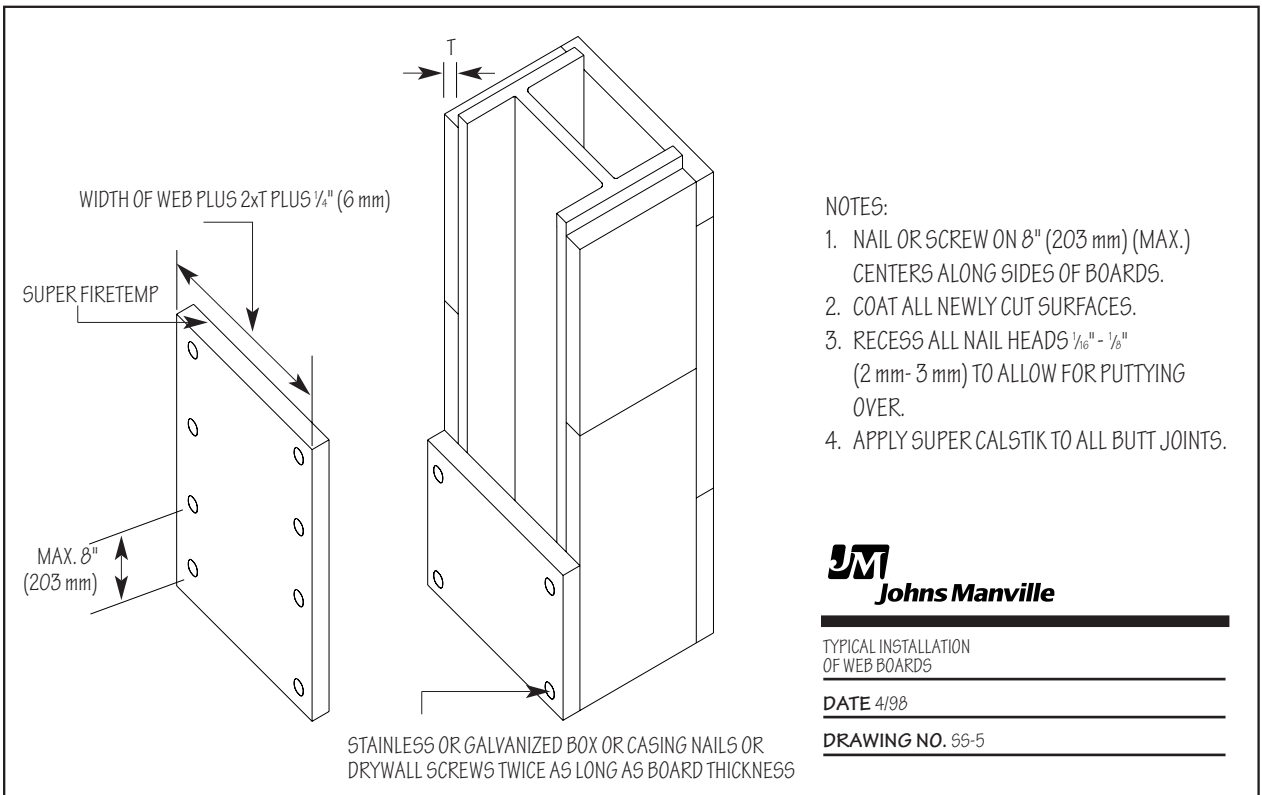
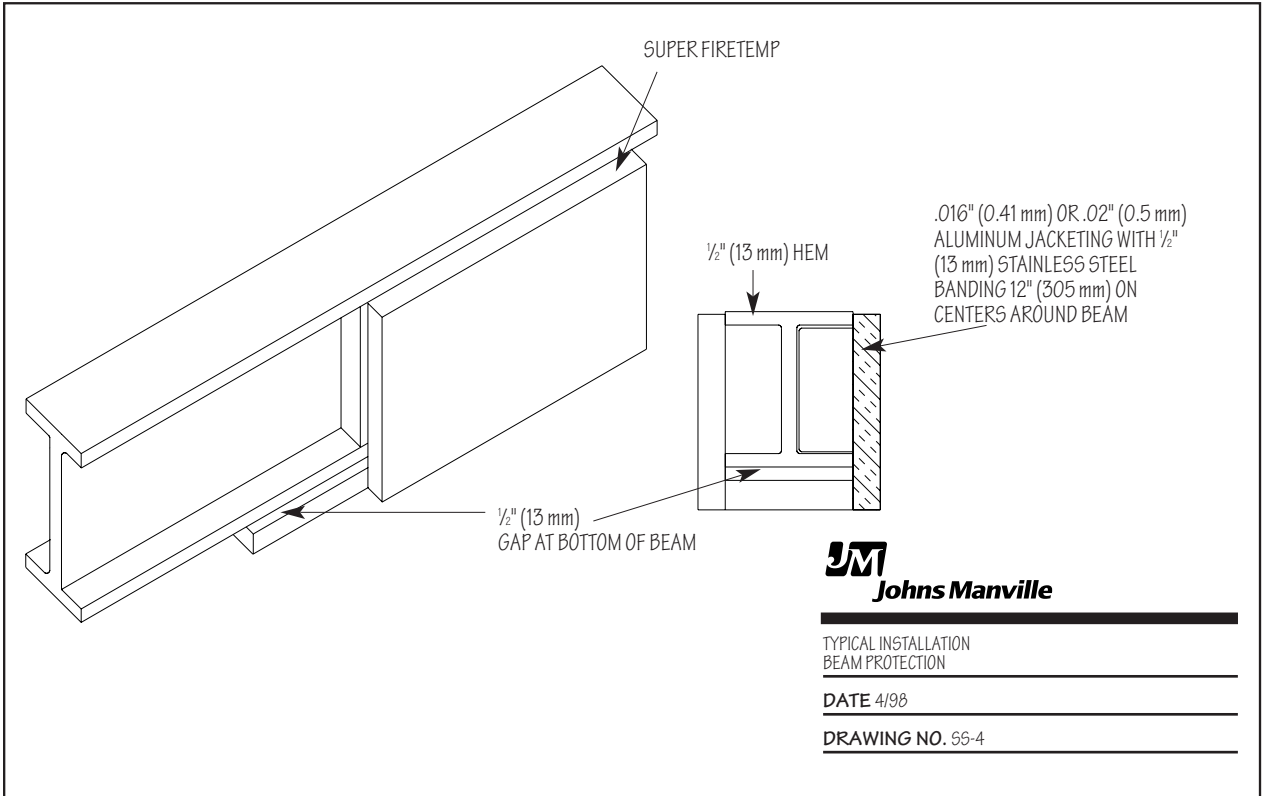
Super Firetemp™

Structural Steel Installation



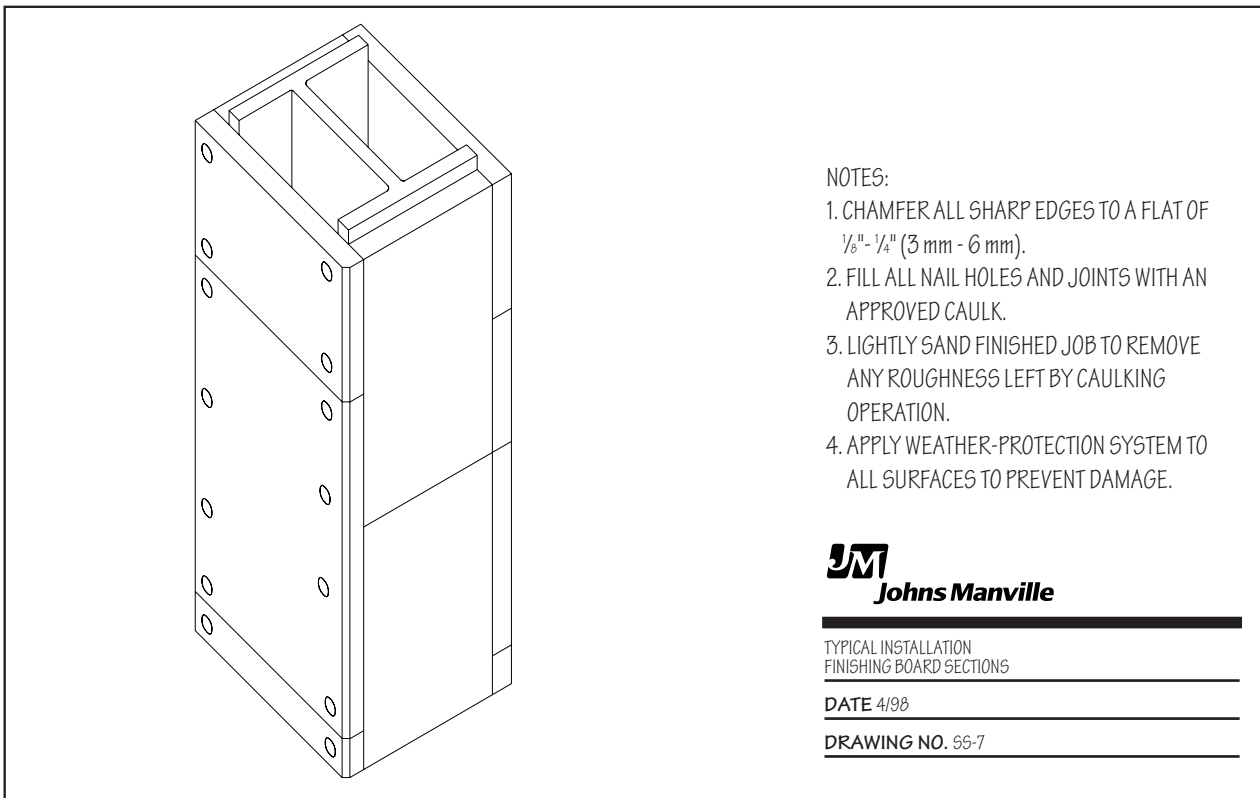
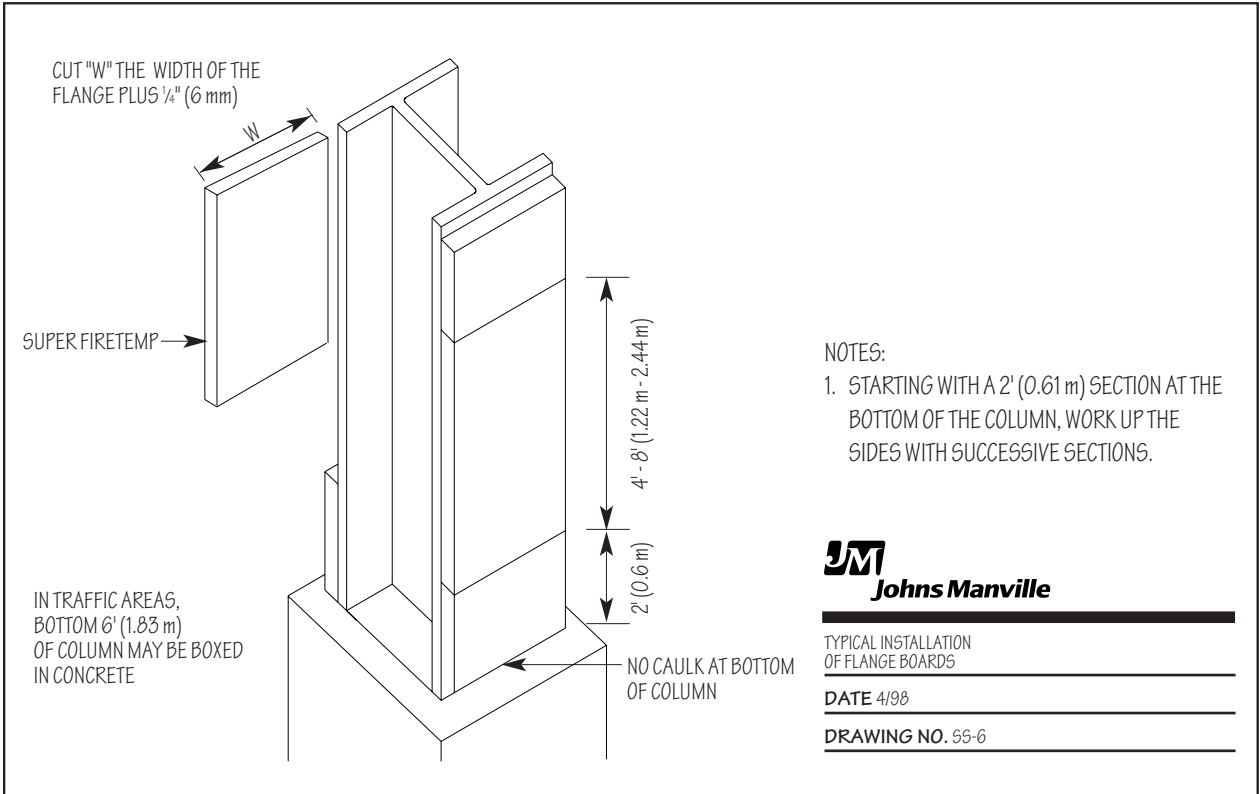
Super Firetemp™

Structural Steel Installation



Super Firetemp™

Structural Steel Installation



Super Firetemp™

Structural Steel Installation

Note: For technical information and assistance regarding application information, code approvals and performance specifications, call **1-800-872-0338**. If this piece is more than one year old, please contact Johns Manville for the current information.

For Order Placement

1110 16 Road	International
Fruita, CO 81521	Denver, Colorado
(970) 525-4226	USA
(800) 525-4226	(303) 978-2980
Fax: (970) 858-9641	Fax: (303) 978-4661



Johns Manville

Johns Manville Insulations
Commercial/Industrial Division
P.O. Box 5108
Denver, CO 80217-5108
Internet: <http://www.jm.com>

The physical and chemical properties of Super Firetemp™ represent typical, average values obtained in accordance with accepted test methods and are subject to normal manufacturing variations. They are supplied as a technical service and are subject to change without notice. Any references to numerical flame spread or smoke developed ratings are not intended to reflect hazards presented by these or any other materials under actual fire conditions. Check with the Sales Office nearest you for current information. **All Johns Manville products are sold subject to Johns Manville's Limited Warranty and Limitation of Remedy. For a copy of the Johns Manville Limited Warranty and Limitation of Remedy, call the 800 number below.** For information on other Johns Manville thermal insulations and systems, call **1-800-654-3103**. To access automated fax-on-demand service in the United States and Canada, simply call **1-888-INSULFX** (1-888-467-8539) from a fax or phone.